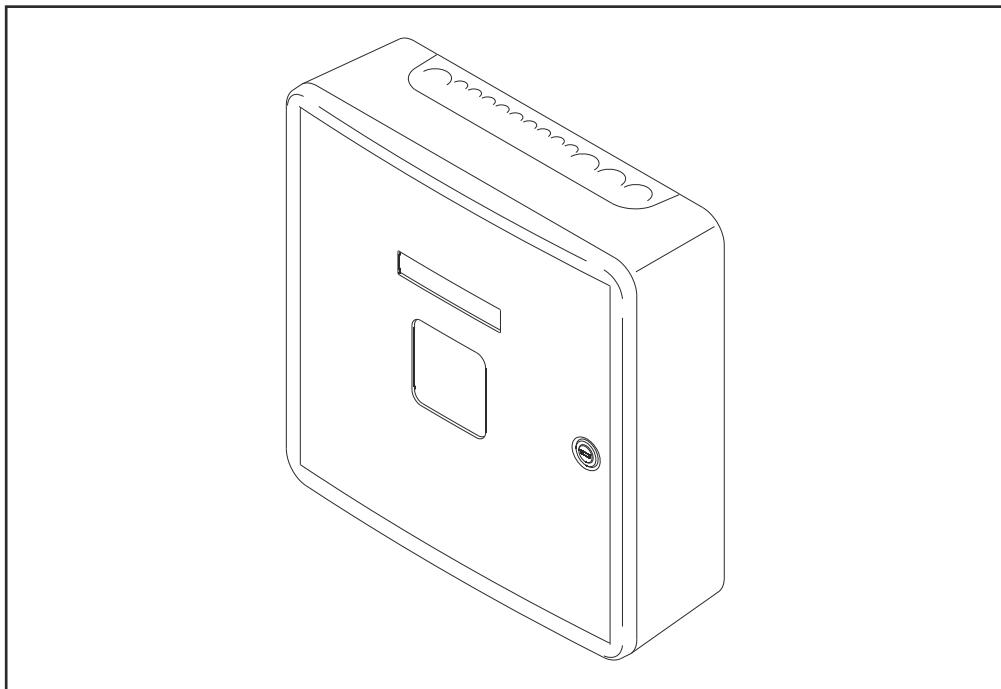




D+H

GVL 8408-M



C UL US

en Original instructions Page 2

⚠ WARNING

Safety notes:

When installing the Ventilation Control Panel (VCP-M 8408), basic safety precautions should always be followed to reduce risk of fire, electric shock, and personal injury.

Failure to follow these instructions could result in death or serious injury.

Operating voltage 115 VAC!

Connection has to be carried out only by an authorized electrical specialist.

Mounting of the control panel should be carried out by a D+H distributor, whose qualification and experience is ensured by regular in-house training.

All wiring must be installed by a qualified electrician according to e.g. National Electrical Codes, NFPA 70 and local codes.

For continued protection against fire, replace only with the same type and rating of fuse.

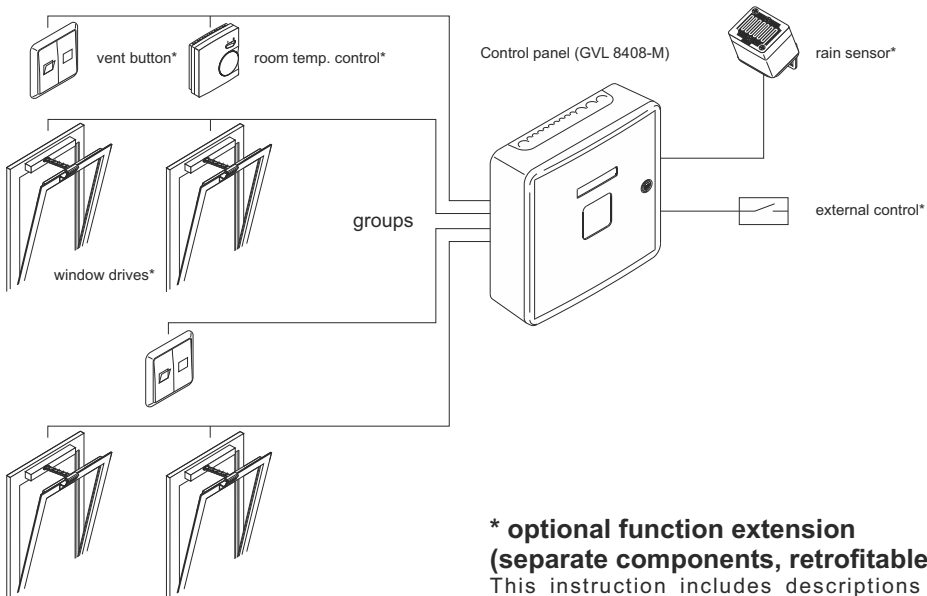
Only for indoor mounting.

Just use unchanged original D+H parts

For North America:

The International Building Codes have to be observed

Example for Application



* optional function extension (separate components, retrofitable!)

This instruction includes descriptions and connection plans of components which are not part of scope of supply of control panel. You can order these parts and many more separately from your D+H distributor. Further connecting plans are available there as well.

Intended use

- ventilation control for small to medium sized building objects
- for triggering of 24 V DC drives
- 5 ventilation groups, expandable to 6 groups
- 8 A total actuating current - stabilized
- Only for indoor mounting

Technical data

Type	: GVL 8408-M
Nominal voltage	: 115 V AC \pm 10%, 60 Hz
Rated power	: 240 VA
Stand-by operating	: 2.5 W
Class of rating	: short-time duty, 20%
Protection class	: I
Ingress protection	: IP 30
Temperature range	: -5...+40°C (23...104°F)
Output voltage	: 24 V DC / res. ripple. <10%
Safe output: *	
Running current of drives	: 6.4 A
Rated current of drives	: 8 A
Housing	: plastic, white
Dimensions	: 12.1" x 12.1" x 3.9"

Performance features

- Ventilation safety function (key operation OPEN/CLOSE), can be free encoded
- Weather automatic for single groups, can be switched on and off
- Entry for external control, e.g. timer
- Possibility of connecting rain detector or wind/ rain detector without supplementary module
- Plastic housing, surface mounted type with lockable steel sheet door

* Please observe:

The **output current of the groups 1 ... 6** amounts **max. 4 Amp.**

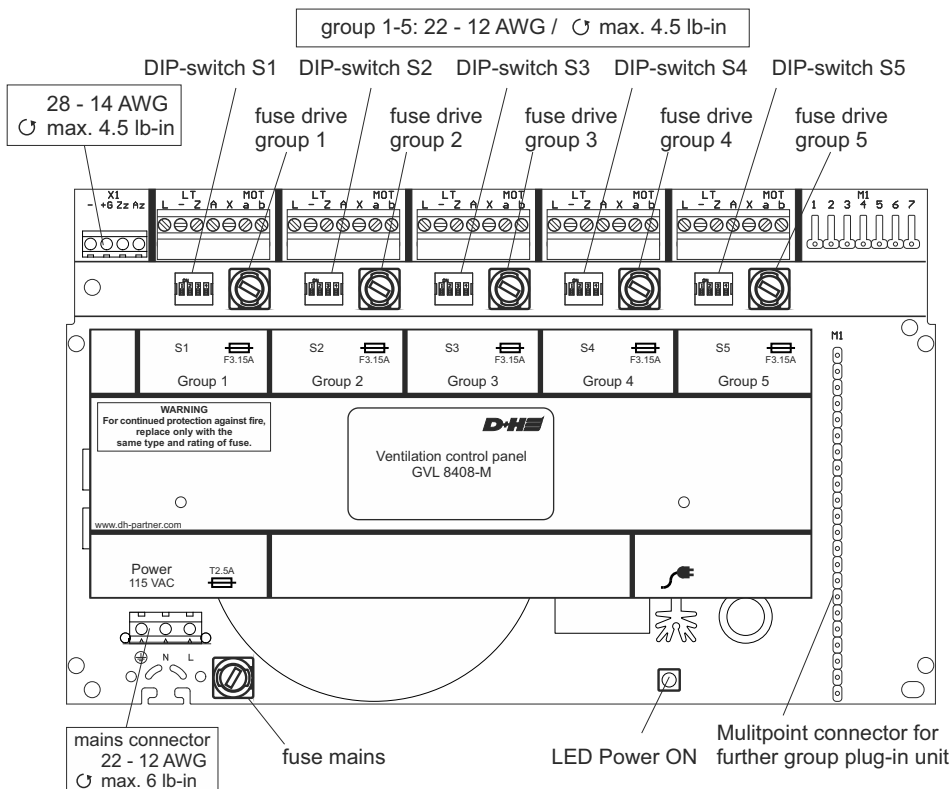
The **total output current of the control panel**, is limited **up to 8 Amp.**

View motherboard



WARNING

For continued protection against fire, replace only with the same type and rating of fuse.

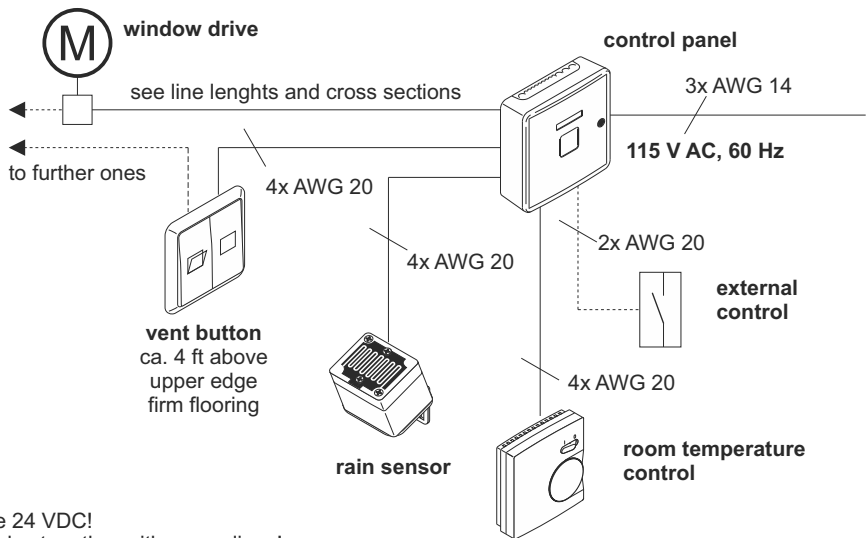


Encoding of group

Following functions can be adjusted for each group separately with **DIP switch S1 - S5** on motherboard of control panel and on group plug-in unit, if available.
The delivery state of all DIP-switches is OFF.

1 = ON	Drives CLOSE up to final position by single pressing on respective vent button.
1 = OFF	Drives are closing only so long as the vent button is pressed .
2 = ON	Drives OPEN up to final position by single pressing on vent button.
2 = OFF	Drives are opening only so long as the vent button is pressed .
3 = ON	Drives are automatically closed by trigger of function „Central CLOSE“, e.g. by rain detector or room temperature control.
3 = OFF	Drives can be closed only by pressing the respective vent button .
4 = ON	Drives are automatically opened by trigger of function „Central OPEN“, e.g. by room temperature control.
4 = OFF	Drives can be opened only by pressing the respective vent button .

Wiring plan (Paragon)

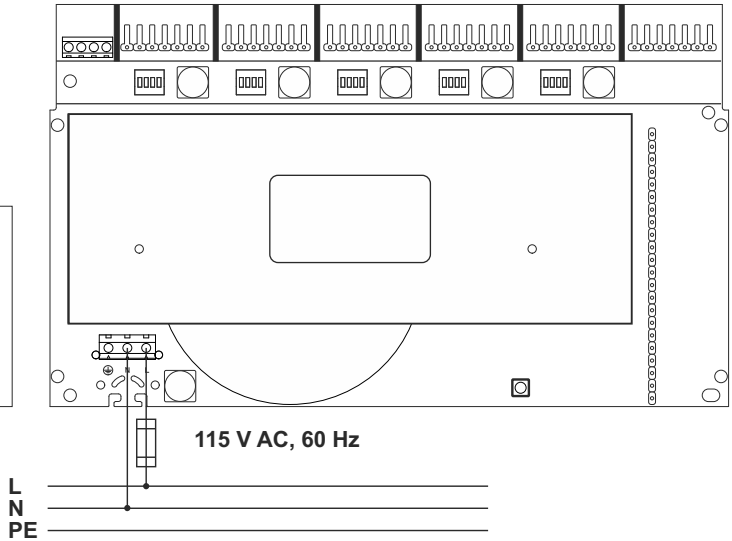
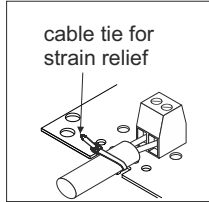


Output voltage 24 VDC!
Do not run cables together with power lines!
In case of a cable with **ground wire**
(e.g. green / yellow) this must **not be used!**

Line lengths and cross sections

		total current										total current									
type		0.5	1	1.5	2	2.5	3	3.5	4	ft	type		0.5	1	1.5	2	2.5	3	3.5	4	m
2x AWG 16		787	394	262	197	157	131	112	98	ft	2x 1,5 mm ²		240	120	80	60	48	40	34	30	m
2x AWG 14		1312	656	427	328	262	213	180	164	ft	2x 2,5 mm ²		400	200	130	100	80	65	55	50	m
2x AWG 12		2100	1050	699	525	420	351	299	262	ft	2x 4 mm ²		640	320	213	160	128	107	91	80	m

115 V AC supply

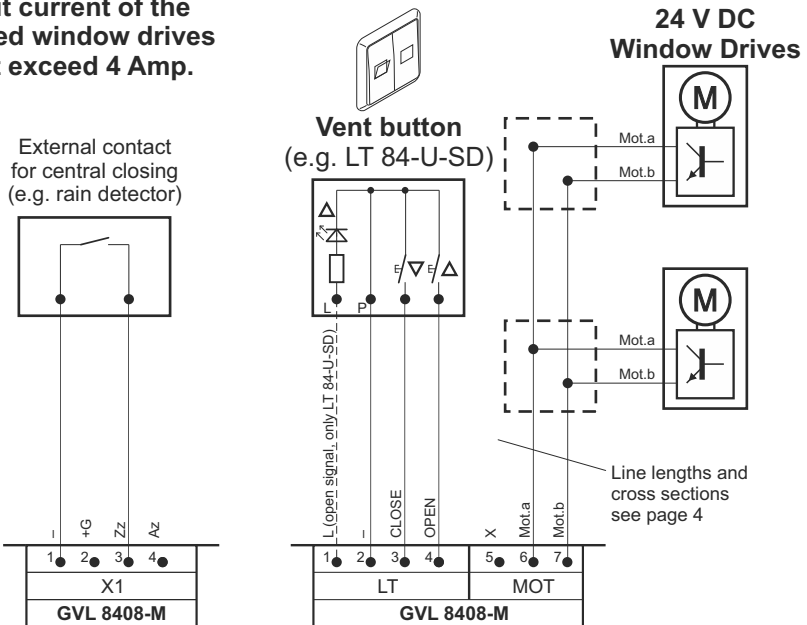


Connection – Vent buttons and Window drives

⚠ WARNING

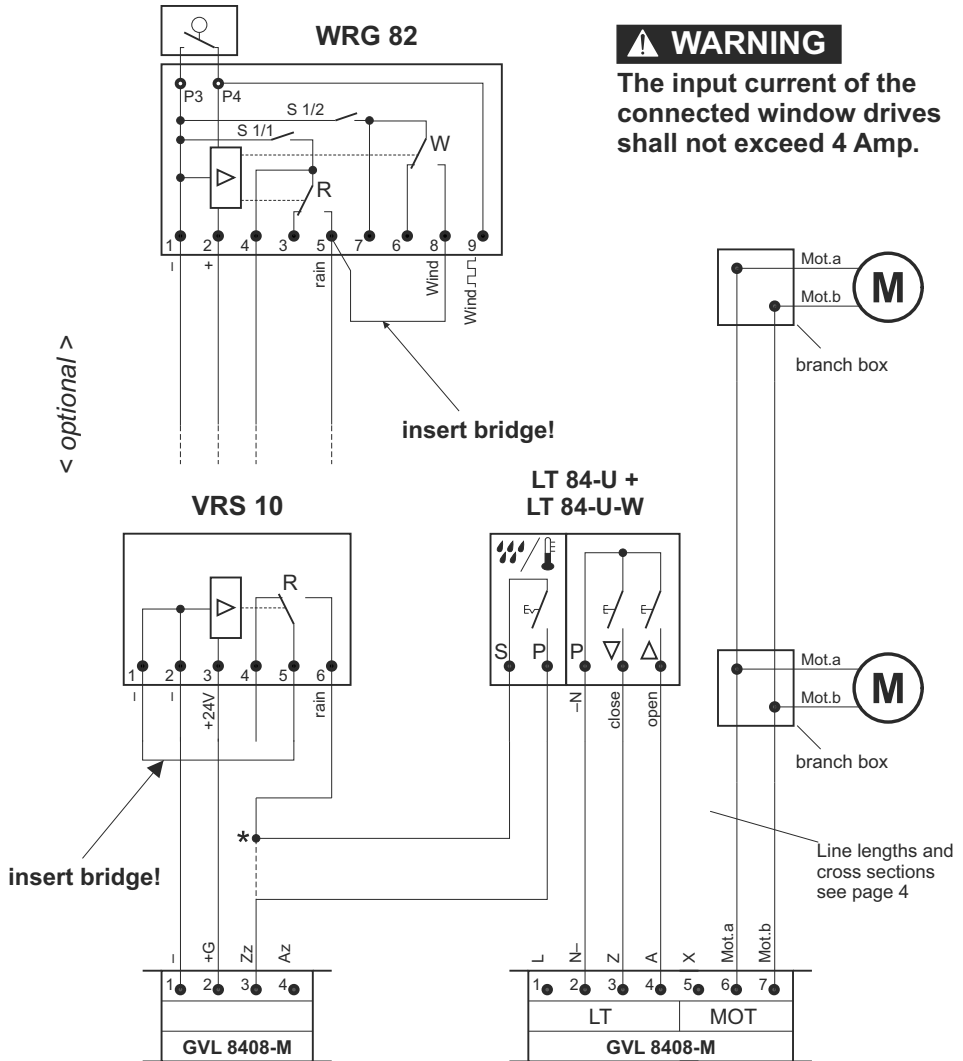
The input current of the connected window drives shall not exceed 4 Amp.

Drive group 1 ... 5



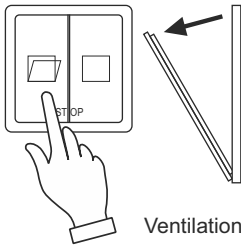
Ask your local D+H partner for further connection examples.

Connection – Rain sensor and Room temperature control

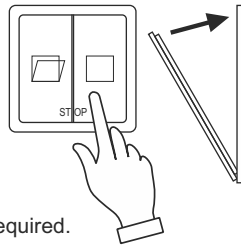


Operation - Day-to-day ventilation

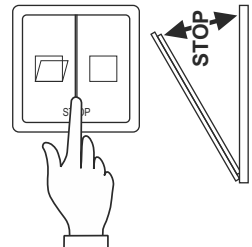
Open:



Close:



Stop:

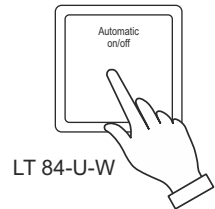


Ventilation button required.

Operation - Weather automatic

Only if wind detector or rain detector available:

If the weather automatic is switched on via vent button LT 84-U-W (optional), the system will automatically close in case of wind or rain. The system will not automatically open again, if wind or rain has stopped. Opening of the system for ventilation via vent button. The weather automatic can be switched-off at vent button LT 84-U-W (optional), if gap ventilation is required in case of bad weather. Gap ventilation is not possible in case of bad weather, if no vent button LT 84-U-W available.



LT 84-U-W

Window drives (Accessories)

Mounting of drive:

Because of varied possibilities for choosing drives, Please take mounting informations from relevant instructions for use of the respective drive.

Moving direction of drives:

Change poles of wires of the drive supply („Mot.a" and „Mot.b"), when moving direction is wrong.

Maintenance and cleaning

Inspection and maintenance has to be carried out according to D+H maintenance notes. Only original D+H spare parts may be used. Repair is to be carried out exclusively by D+H.

Wipe away debris or contamination with a dry, soft cloth.

Do not use cleaning agents or solvents.

Disposal

Electrical devices, accessories, batteries and packaging should be sorted for environmental-friendly recycling. Do not dispose electrical devices and batteries into household waste!

Only for EC countries:

According the European Guideline 2012/19/EU for waste electrical and electronic equipment and its implementation into national right, electrical devices that are no longer usable must be collected separately and disposed of in an environmentally correct manner.





D+H Mechatronic AG
Georg-Sasse-Str. 28-32
22949 Ammersbek, Germany

Tel.: +4940-605 65 239
Fax: +4940-605 65 254
E-Mail: info@dh-partner.com

www.dh-partner.com

© 2012 D+H Mechatronic AG, Ammersbek
Technische Änderungen vorbehalten. /
Rights to technical modifications reserved.

99.824.66 1.6/03/16