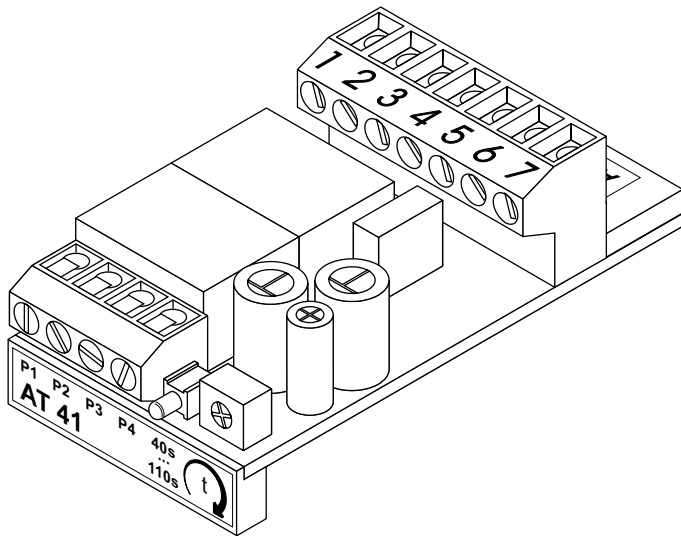




Louver Module AT 41



Application

Module AT 41 effects a delay in starting of window drives in dependence of existing motive operated outside shading, by which the opening of window wings is hindered or the smoke vent cross section is diminished.

The module is detachable on terminal board groups of following control panels:

- RZN 4102/08-Kv2
- RZN 4402/04-K
- RZN 430x-M/ -E
- **RZN 44xx -M**
- GVL 830x-K/ -M/ -E

Performance

The wing group runs open with smoke vent triggering or ventilation operation.

However, the drives start running with time lag, because the shading group gets simultaneously a reverse travel signal, and runs back the shading.

Delay time is adjusted with a potentiometer on the module and must be **1,5 times as much as the duration of reverse travel of the shading**. The LED will lighten during delay time.

The shading can be normally run out or run in with closed windows.

The shading will remain closed in run in condition, when the window has been opened already.

Notes

Use only with **D+H window drives**.

The module requires a „-B signal“ from one window drive per group.

Take care that the all-or-nothing relay TRL8 is mounted outside the control panel housing, when used in conjunction with 230V-shading (observe VDE 0100!).



Attention! To guarantee an undisturbed operation of the system by using Louver Module AT 41, the „OPEN“-running time limitation must be deactivated in control panels and Group Plug-in cards e.g.:

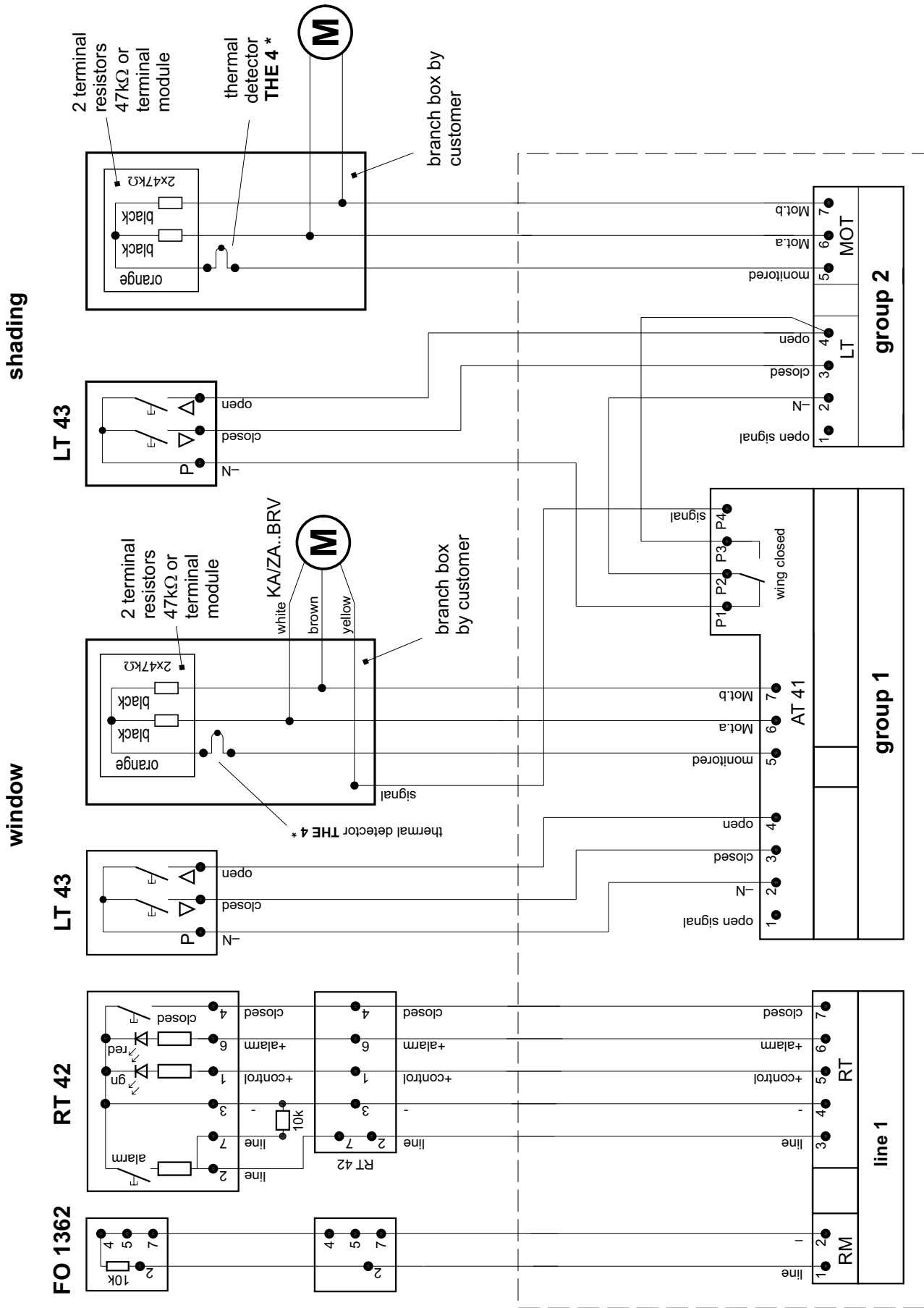
- **RZN 43xx -E with GE 628 V2 or GE 649-SET**
- **RZN 44xx -K/-M**
- **GVL 83xx -E with GE 628 -L V2**

Guarantee

You will get **2 years** guarantee for all D+H products from date of verified handing over of the system up to maximal 3 years after date of delivery, when mounting and starting has been carried out by a D+H authorized distributor.

D+H guarantee is expired, with connection of D+H components with external systems or with mixing of D+H products with parts of other manufacturers.

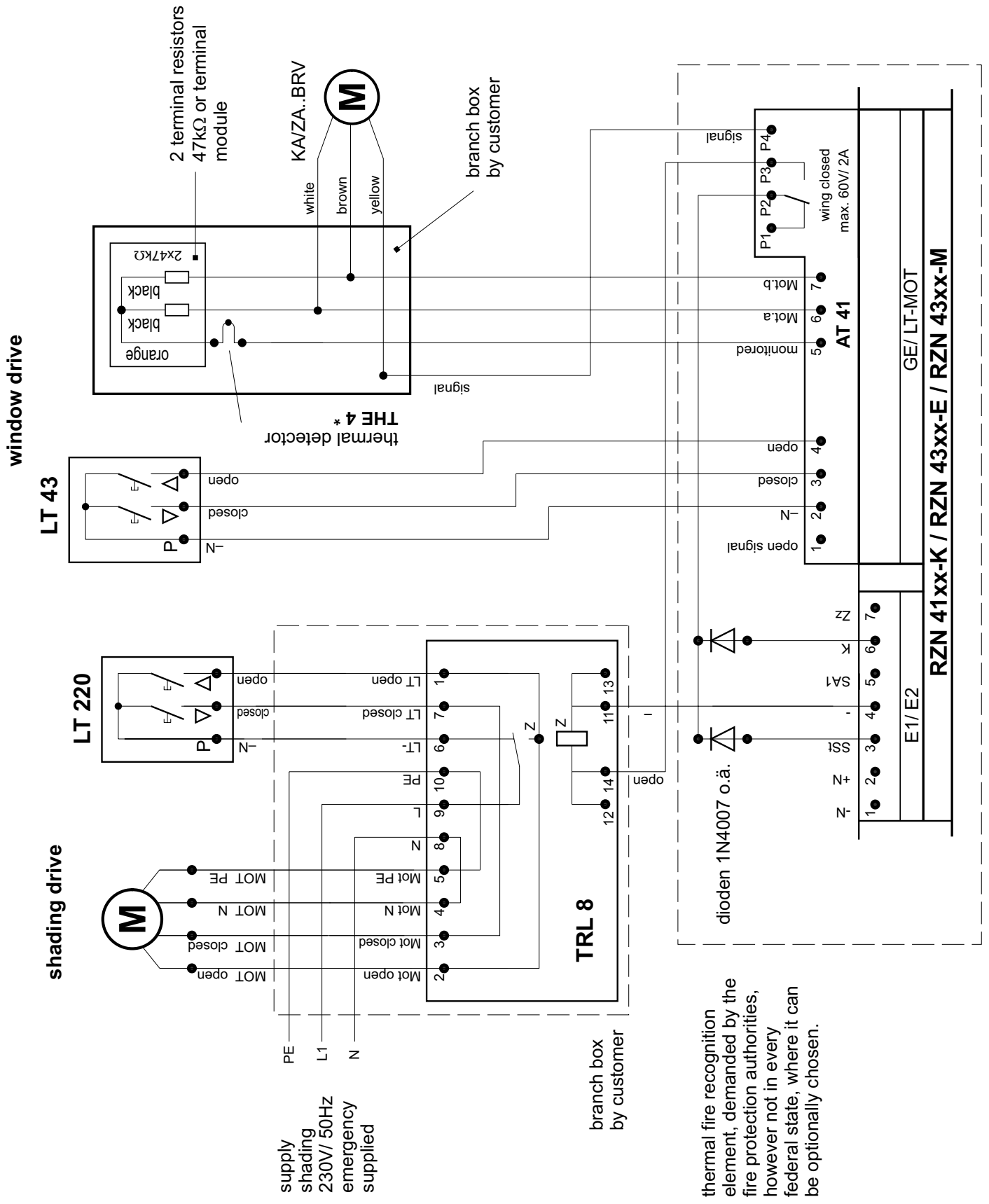
Connection with 24VDC Shading Drive



* thermal fire recognition element, demanded by the fire protection authorities, however not in every federal state, where it can be optionally chosen.

Connection with 230VAC Shading Drive

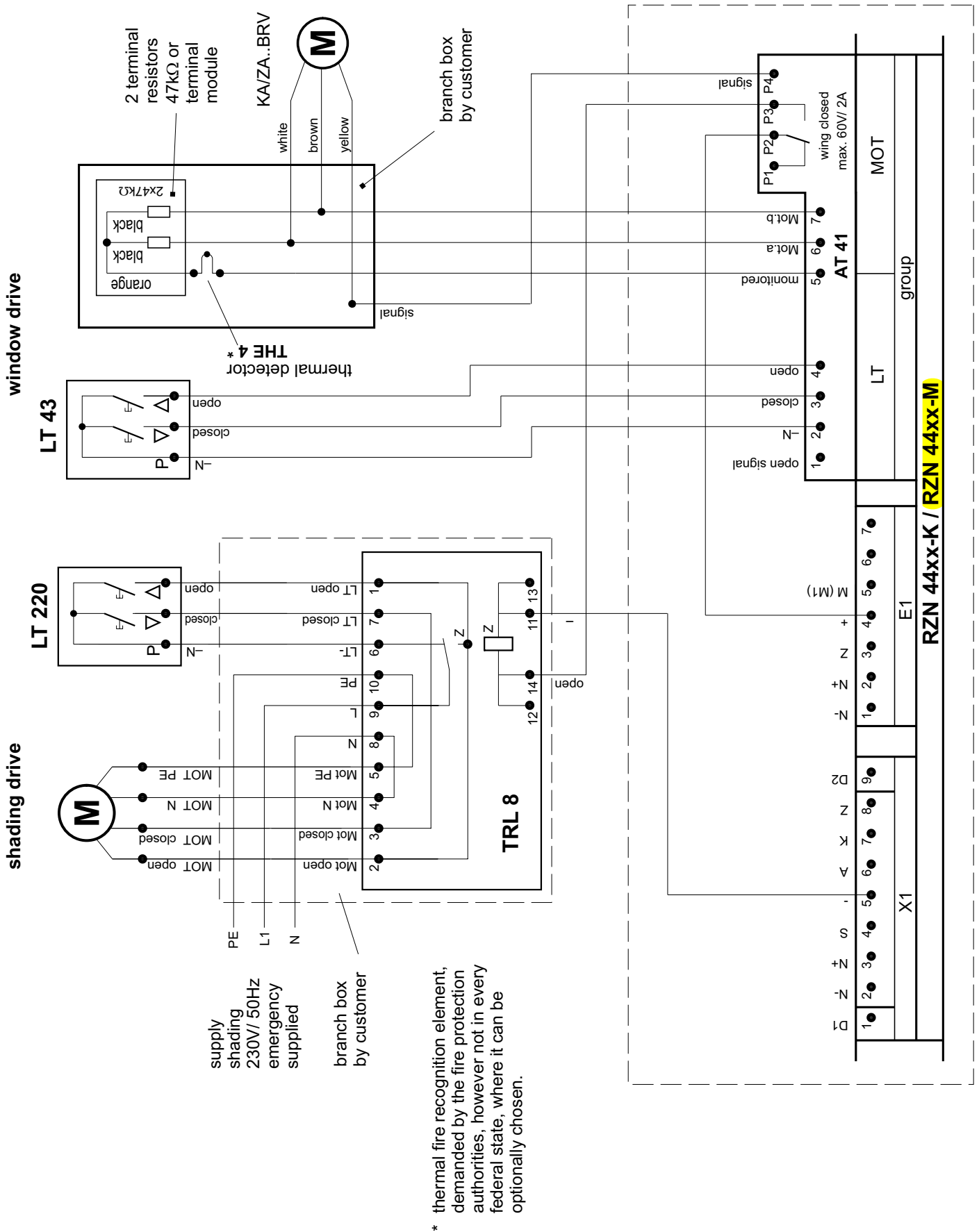
for RZN 41xx -K, RZN 43xx-E, RZN 43xx-M



* thermal fire recognition element, demanded by the fire protection authorities, however not in every federal state, where it can be optionally chosen.

Connection with 230VAC Shading Drive

for RZN 44xx -K and **RZN 44xx -M**



* thermal fire recognition element, demanded by the fire protection authorities, however not in every federal state, where it can be optionally chosen.